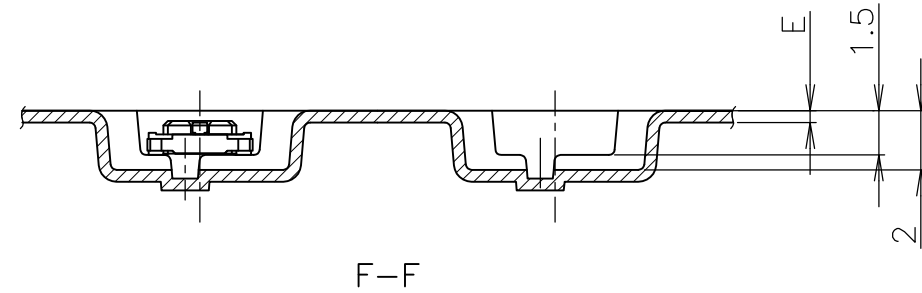
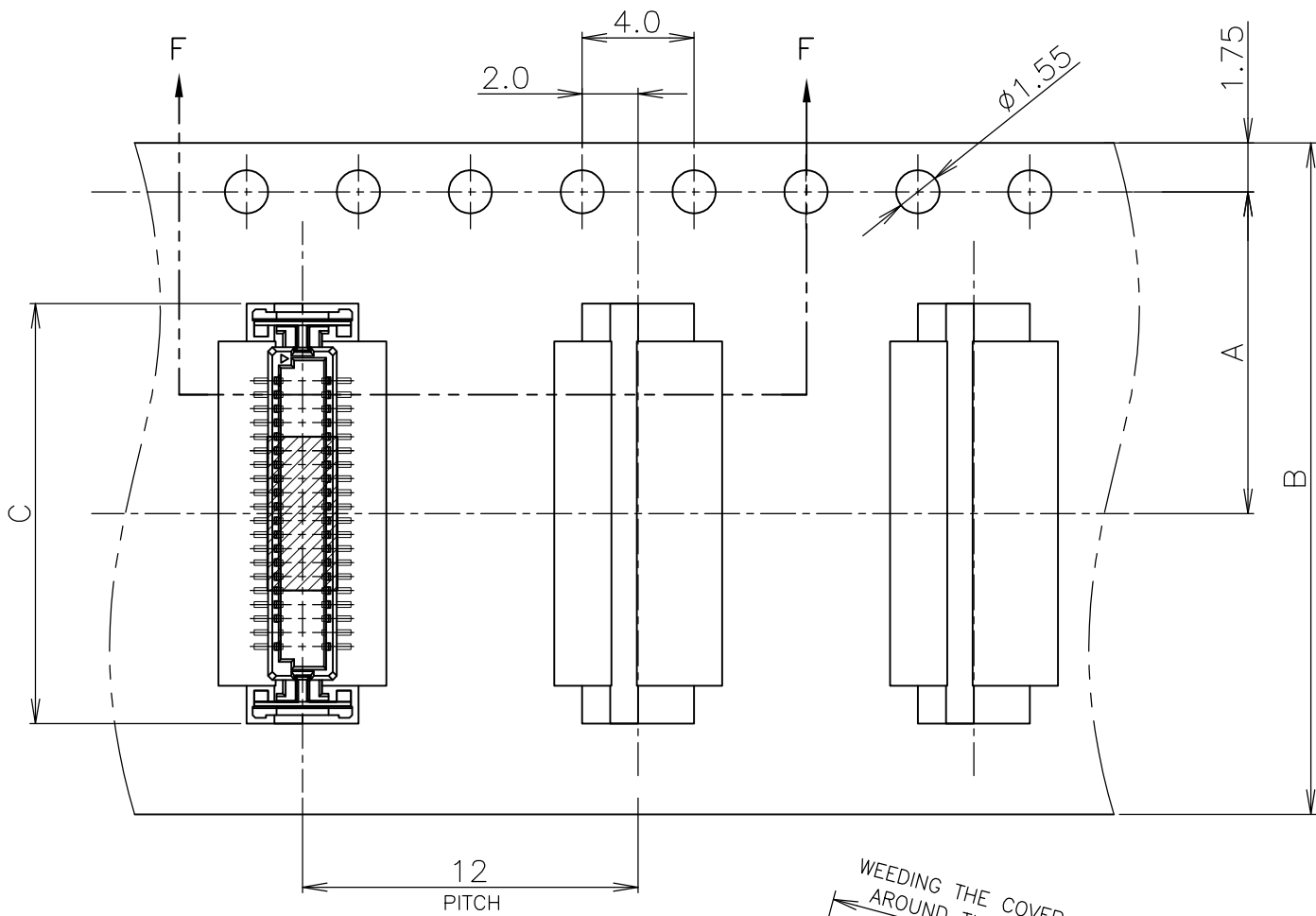


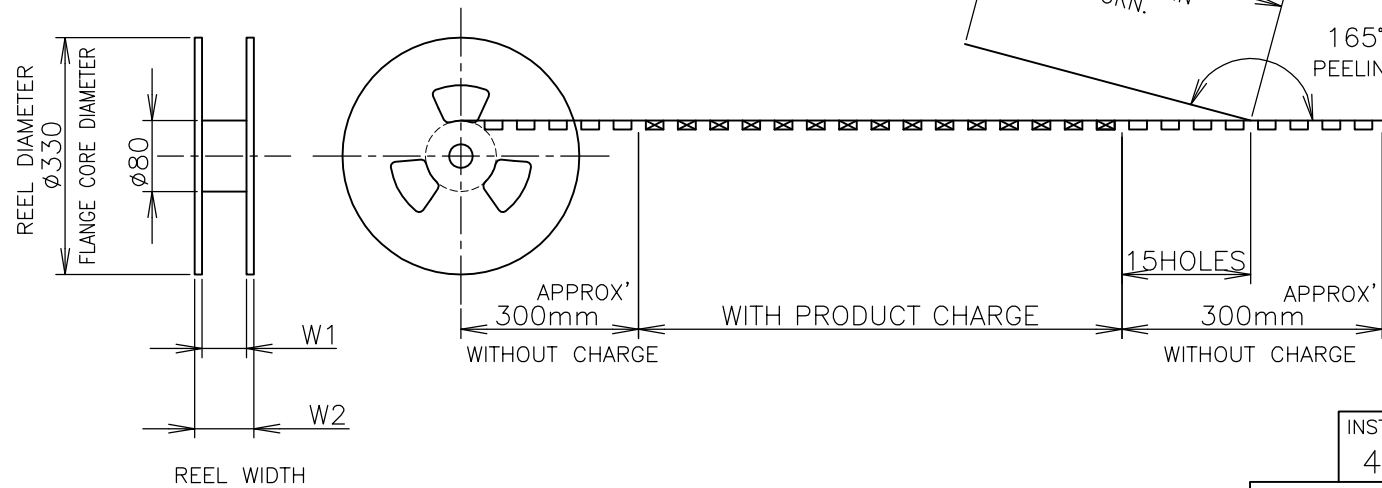
THIS DRAWING IS UNPUBLISHED. RELEASED FOR PUBLICATION NOV ,1996.

© COPYRIGHT 1996 BY TYCO ELECTRONICS CORPORATION. ALL RIGHTS RESERVED.

LOC	DIST	REVISIONS					
J		P	LTR	DESCRIPTION	DATE	DWN	APVD
		D		REVISED ECR-06-024208	25OCT2006	A.S	I.E



TOP OF REEL



28.4	24.4	0.4	15.0	24	11.5	1500	40	4-353514-0	4-353515-0
28.4	24.4	0.4	12.5	24	11.5	1500	30	3-353514-0	3-353515-0
20.4	16.4	0.4	9.75	16	7.5	1500	20	2-353514-0	2-353515-0
W ₂	W ₁	E	C	B	A	QTY/REEL	POS	CONNECTOR P/N (L/P)	TAPING P/N

INSTRUCTION SHEET
411-5781

THIS DRAWING IS A CONTROLLED DOCUMENT.

DIMENSIONS:	TOLERANCES UNLESS OTHERWISE SPECIFIED:
MM	
	0 PLC ± 0.2
	1 PLC ± 0.2
	2 PLC ± 0.2
	3 PLC ± 0.2
	4 PLC ± 0.2
	ANGLES ± 3°

MATERIAL	FINISH

DWN S.KAJINUMA 14NOV96
 CHK K.ASAKAWA 14NOV96
 APVD Y.FUJIIURA 14NOV96

PRODUCT SPEC
108-5546
APPLICATION SPEC

WEIGHT
CUSTOMER DRAWING

tyco Tyco Electronics AMP K.K.
Electronics Kawasaki, Japan

NAME
ON TAPING (EMBOSS)
0.5mm PITCH FS CONN.
TAB ASSEMBLY WITH KEY & WITHOUT BOSS

SIZE	CAGE CODE	DRAWING NO	RESTRICTED TO
A3	00779	C-353515	

SCALE 4:1 SHEET 1 OF 1 REV D